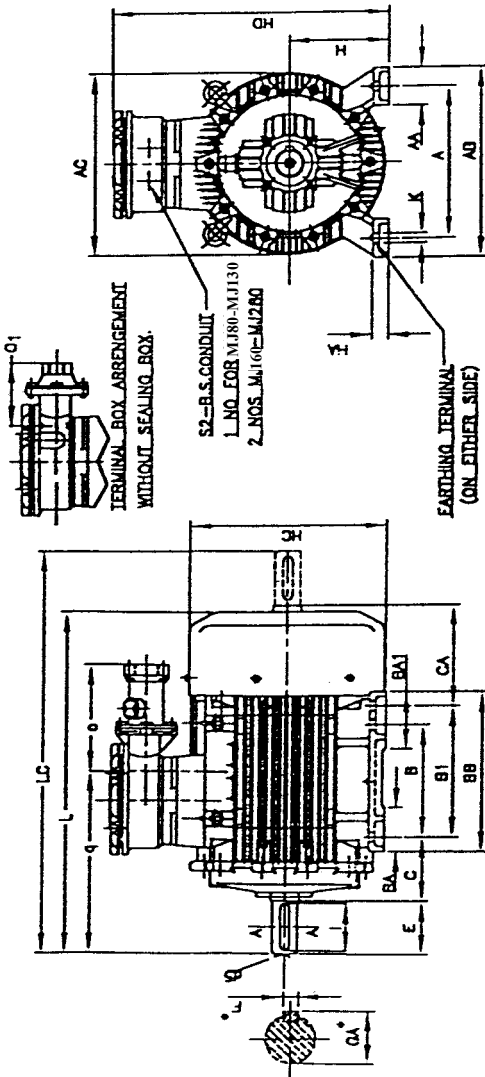




Dimensional Details of Flame Proof : Foot Mounted (B3 Construction) TEFC Motor Frames 80-280 M



Tolerances on Dimensions MARKED* (I.S.A. FIT)	
Dimensions	Tolerances
A, B	±0.75 (IS 1231)
H	- 0.5 (IS 1231)
K	UPTO 110 mm ±1 OVER 110 mm ±1.5
D	190, 240, 280j6 380, 420, 480k6 550, 600, 650, 750k6
G, A, F	(IS 2048)
d5 ± CENTERING TO IS:2540	

\*A-2 POLE; \*B-4, 6&8 POLE  
KEY / KEYWAY FIT : h9 / N9

FRAME DIMENSIONS

SHAFT DIMENSIONS

IEC FR. SIZE	A*	B*	B1*	C	H*	K*	AB	BB	AA	BA	BA1	HA	HC	HD	CA	AC	o	q	L	LC	S2	01	D*	E*	F*	GA*	i	d5†
80 MJ 80	125	100	50	80	10	153	126	32	36	10	166	296	156	164	214	168	329	386	3/4"	135	19	40	6	21.5	35	T6		
90L MJ 90	140	125	56	90	10	180	160	50	40	13	178	336	182	178	217	195	388	463	3/4"	141	24	50	8	27	45	T8		
100L MJ 100	160	140	63	100	12	198	176	54	45	14	198	349	197	195	206	225	435	520	1"	131	28	60	8	31	55	T10		
112M MJ 112	190	140	70	112	12	230	176	50	55	15	226	374	209	225	200	233	456	539	1"	124	28	60	8	31	55	T10		
132M MJ 130	216	178	89	132	12	256	218	64	54	17	266	422	225	260	175	282	547	652	1"	100	38	80	10	41	70	T12		
160M/L MJ 160	254	210	108	160	15	314	294	60	70	115	325	472	247	324	252	365	694	829	1"	151	42	110	12	45	105	T16		
180L MJ 180	279	279	121	180	15	339	339	80	75	26	357	515	200	354	315	395	698	820	1 1/2"	211	48	110	14	51.5	100	T16		
200L MJ 200	318	305	133	200	19	398	355	85	85	32	397	556	235	394	237	395	771	893	2"	133	55	110	16	59	100	T20		
225S/M MJ 225	*A	356	286	311	149	225	19	436	361	85	110	34	453	651	238	414	799	918	2"	198	55	110	16	59	100	T20		
	*B															829	948			198	60	140	18	64	130	T20		
250M MJ 250	*A	406	349	168	250	24	506	425	100	115	42	515	688	268	489	474	915	1065	2"	177	60	140	18	64	130	T20		
	*B																			177	65	140	18	69	130	T20		
280S/M MJ 280	*A	457	368	419	190	280	24	530	490	110	110	149	42	566	755	517	1010	1157	2"	142	65	140	18	69	130	T20		
	*B																			142	75	140	20	79.5	130	T20		

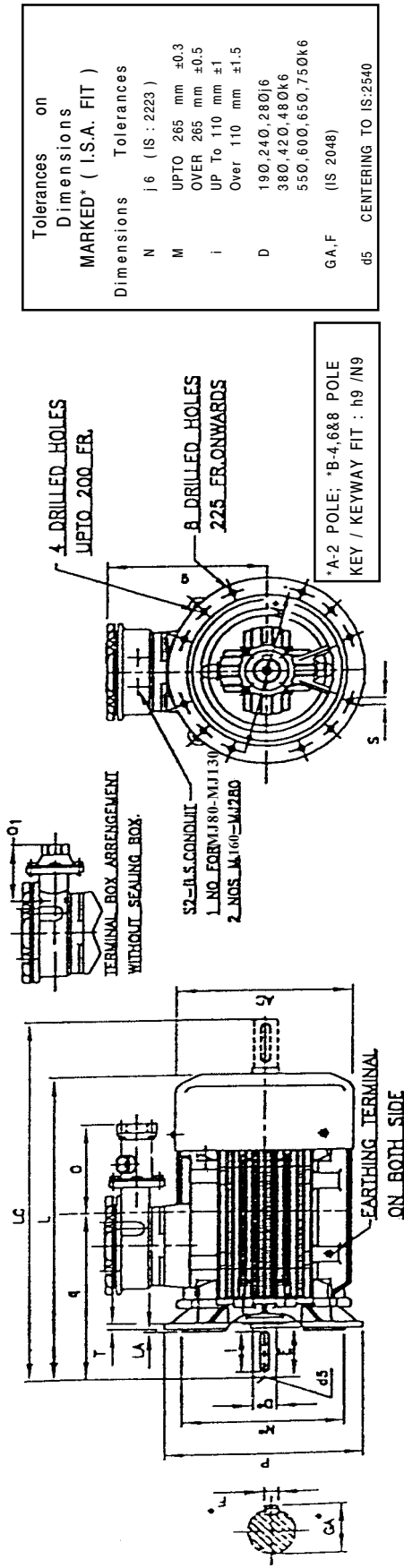
Note : All Dimensions are in mm. unless otherwise specified

● Double shaft extension can be provided with shaft dimension identical to D.E. shaft except for MJ 225 - 4, 6, 8 pole and MJ 280 - 4, 6, 8 pole where Non Drive Shaft Extension will be limited to 55 m.m. and 65 mm dia respectively.

Note : BBL type reference have changed. Please refer to Page No.15 for Conversion Chart.



Dimensional Details of Flame Proof : Flange Mounted (B5 Construction) TEFC Motor Frames 80-280 M



FRAME DIMENSIONS

SHAFT DIMENSIONS

IEC FR.	FRAME SIZE	P	N*	M*	T	LA	S	i*	g	AC	o	q	L	LC	01	S2	D*	E	F*	GA*	i	d5
80	MJ 80	200	130	165	3.5	11	12	40	216	164	214	218	329	386	135	3/4"	19	40	6	21.5	35	T6
90L	MJ 90	200	130	165	3.5	15	12	50	246	178	217	195	388	463	141	3/4"	24	50	8	27	45	T8
100L	MJ 100	250	180	215	4	15	15	60	258	195	206	225	435	520	131	1"	28	60	8	31	55	T10
112M	MJ 112	250	180	215	4	12	15	60	262	225	200	233	456	539	124	1"	28	60	8	31	55	T10
132M	MJ 130	300	230	265	4	13	15	80	290	260	175	282	547	652	100	1"	38	80	10	41	70	T12
160M/L	MJ 160	350	250	300	5	13	19	110	312	324	252	365	694	829	151	1"	42	110	12	45	105	T16
180L	MJ 180	350	250	300	5	16	19	110	335	354	315	395	723	845	211	1 1/2"	48	110	14	51.5	100	T16
200L	MJ 200	400	300	350	5	15	19	110	356	394	237	395	771	893	133	2"	55	110	16	59	100	T20
225S/M	MJ 225	*A	450	350	400	5	16	19	426	444	308	414	799	918	198	2"	55	110	16	59	100	T20
		*B											829	948			60	140	18	64	130	T20
250M	MJ 250	*A	550	450	500	5	18	19	438	489	287	474	915	1065	177	2"	60	140	18	64	130	T20
		*B															65	140	18	69	130	T20
280S/M	MJ 280	*A	550	450	500	5	18	19	475	544	252	517	1010	1157	142	2"	65	140	18	69	130	T20
	S/M	*B															75	140	20	79.5	130	T20

All Dimensions are in mm. unless otherwise specified

Note :

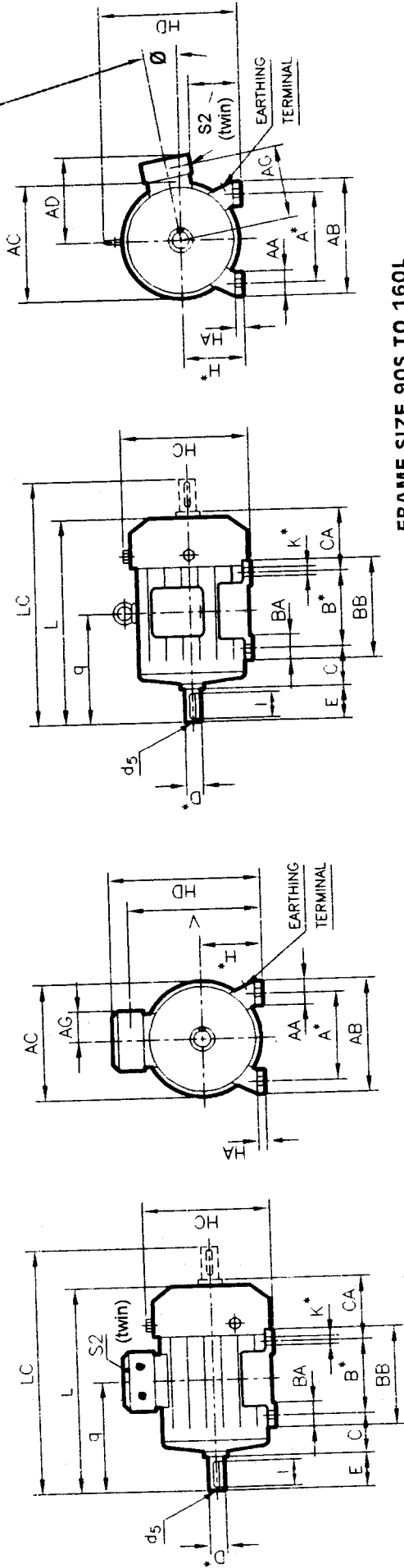
- Double shaft extension can be provided with shaft dimension identical to D.E. shaft except for MJ 225-4, 6, 8 pole and MJ 280-4, 6, 8 pole where Non Drive Shaft Extension will be limited to 55 mm. and 65 mm dia respectively.

Note : BBL type reference have changed. Please refer to Page No. 15 for Conversion Chart.



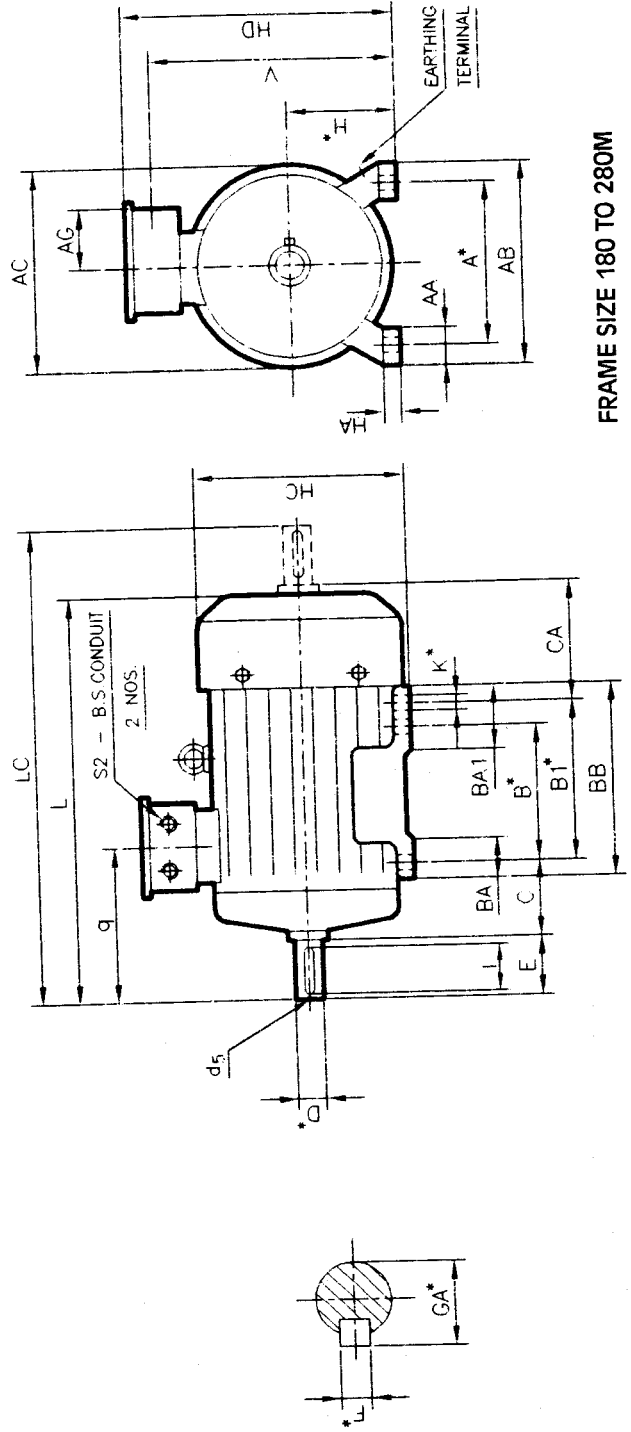
Dimensional Drawing of Increased Safety : Foot Mounted (B3 Construction) TEFC Motor Frame 63 - 280 M

Offset by 10° for 112 & 132 Ft.



FRAME SIZE 63, 71 & 80

FRAME SIZE 90S TO 160L



FRAME SIZE 180 TO 280M



IEC Frame Motor Type	FIXING			Safety			Foot Mounted			Construction (B3)			TEFC			Motors			Frame 63-280M			SHAFT									
	A*	B*	B1*	C	H*	K*	AB	BB	AA	BA	BA1	HA	HC	HD	AD	L	LC	CA	AC	V	q	AC	S2	D*	E	F*	GA*	I	d		
63	ME063	100	80	-	40	63	7	126	100	30	28	-	7	128	207	-	206	241	75	124	112	103	56	3/4"	11	23	4	12.5	18	M4	
71	ME071	112	90	-	45	71	7	138	110	30	29	-	7	143.5	221	-	234	278	83	139	119	120	56	3/4"	14	30	5	16	25	M5	
80	ME080	125	100	-	50	80	10	153	124	32	32	-	10	161	237	-	267	324	94	157	126	110	56	3/4"	19	40	6	21.5	35	M6	
90S	ME09S	140	100	-	56	90	10	168	150	34	54	-	12	177	①	154	327	399	143	172	34	169	117	3/4"	24	50	8	27	45	M8	
90L	ME09L	140	125	-	56	90	10	168	150	34	54	-	12	177	①	154	327	399	143	172	34	169	117	3/4"	24	50	8	27	45	M8	
100L	ME10L	160	140	-	63	100	12	190	174	44	36	-	14	198	235	169	366	448	125	196	44	193	131	1"	28	60	8	31	55	M10	
112M	ME11M	190	140	-	70	112	12	230	176	62	50	-	15	226	269	189	388	471	141	226	82	200	150	1"	28	60	8	31	55	M10	
132S	ME13S	216	140	-	89	132	12	256	180	64	50	-	17	266	308	206	449	552	163	266	99	239	166	1"	38	80	10	41	70	M12	
132M	ME13M	216	178	-	89	132	12	256	218	64	54	-	17	266	308	206	487	590	163	266	99	258	166	1"	38	80	10	41	70	M12	
160M	ME16M	254	210	-	108	160	15	306	256	74	65	-	20	322	366	226	605	721	183	324	131	323	186	1"	42	110	12	45	105	M16	
160L	ME16L	254	254	-	108	160	15	306	300	74	65	-	20	322	366	226	649	765	183	324	131	345	186	1"	42	110	12	45	105	M16	
180M/L	ME18M/L	279	241	279	121	180	15	344	319	65	70	108	26	357	462	-	717	821	201	354	410	264	112	1-1/2"	48	110	14	51.5	100	M16	
200L	ME20L	318	305	-	133	200	19	398	355	85	65	65	32	397	512	-	770	892	234	394	449	287	172	2"	55	110	16	59	100	M20	
225S/M	ME22S/M	*A 356	286	311	149	225	19	436	361	85	85	110	34	447	562	-	825	944	239	444	498	297	172	2"	55	110	16	59	100	M20	
	*B																830	949	239	444	498	327	172	2"	60	140	18	64	130	M20	
250M	ME25M	*A 406	349	-	168	250	24	506	425	100	115	115	42	498	665	-	915	1065	268	495	578	352	205	2"	60	140	18	64	130	M20	
	*B																									65	140	18	69	130	M20
280S/M	ME28S/M	*A 457	368	419	190	280	24	557	525	100	145	155	42	552	725	-	1010	1160	271	544	638	360	205	2"	65	140	18	69	130	M20	
	*B																									75	140	20	79.5	130	M20

All Dimensions are in mm unless otherwise specified

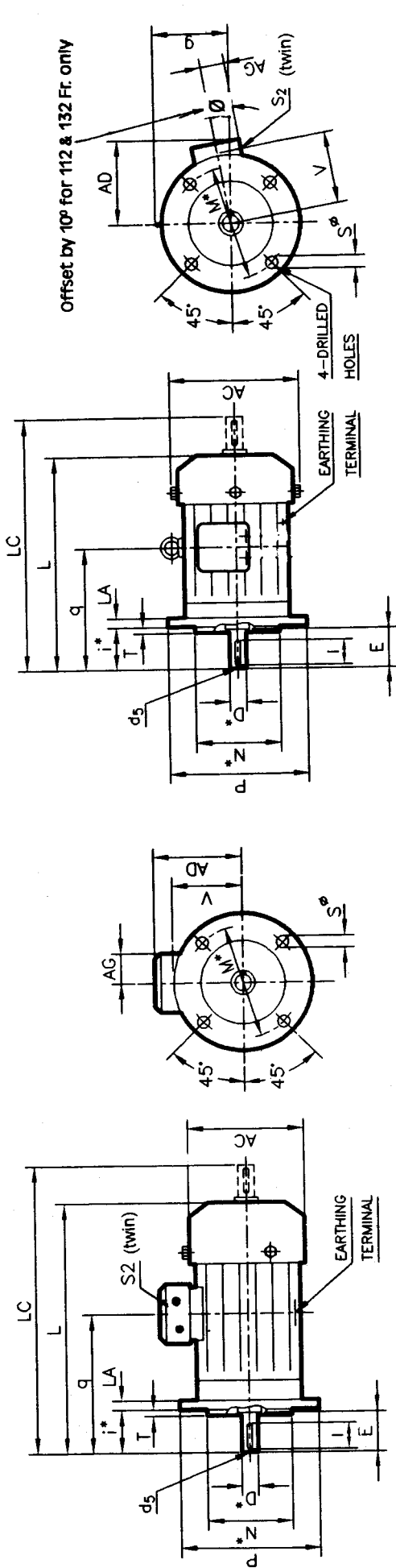
Tolerance on Dimensions with star

Dimension	Tolerance	Specification
A, B	±0.75	IS : 1231
H	0.5	IS : 1231
D	11,14,19,24,280 38,42,480	
K	m 6 +0.360 +0.430	55,660,650,75, 100 12,150,190,240
GA, F d(centering)		IS : 2048 IS : 2540

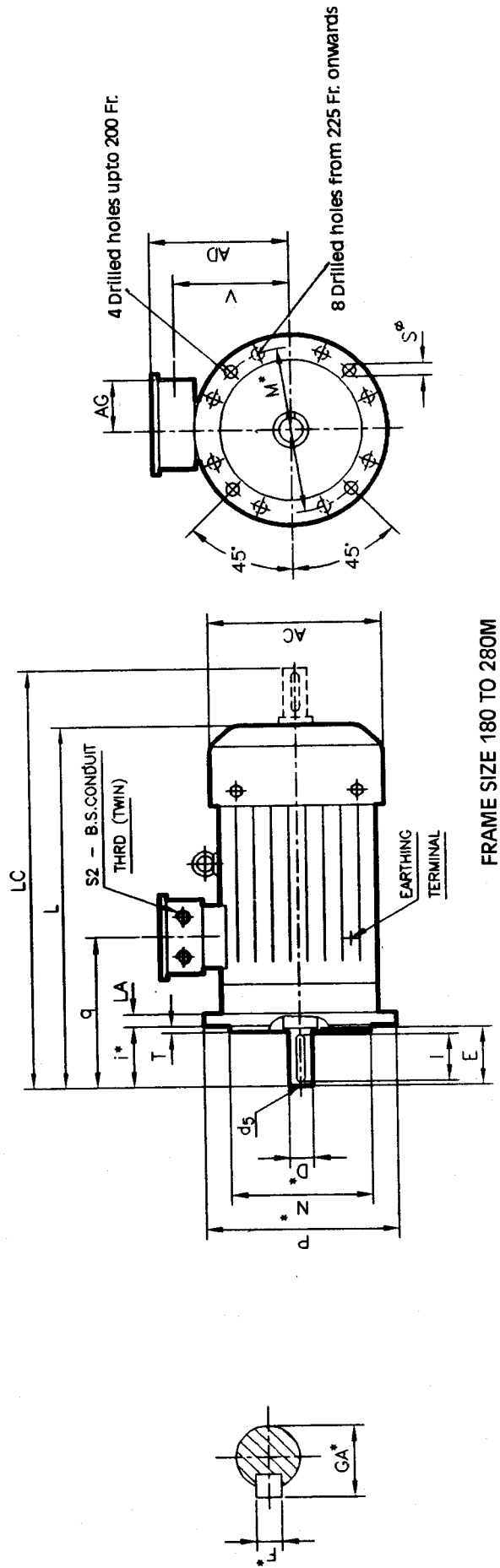
Note :

- ① Without Eye bolt.
- ☐ For 225 S/M-4,6,8 pole Non Drive Shaft Extension will be limited to 55mm dia
- ☐ \*A-2 pole, \*B-4, 6 & 8 pole.
- ☐ Also suitable for B6, B7, B8, V5 & V6 mounting as per IS 2253.
- ☐ For 280 S/M 4,6 & 8 pole Non Drive Shaft Extension will be limited to 65 mm dia.

Dimensional Drawing of Increased Safety : Flange Mounted (B5 Construction) TEFC Motor Frame 63 - 280 M



FRAME SIZE 90S TO 160L





**Dimensional Details of Increased Safety : Flange Mounted (B5 Construction) TEFC Motors Frame 63-280M**

IEC Frame Motor Type Size	FIXING			GENERAL					TERMINAL BOX					SHAFT									
	P	N*	M*	i*	S	T	LA	AD	AC	L	LC	g	v	q	AG	S2	D*	E	F*	GA*	i	d	
63	ME 063	140	95	115	23	10	3	9	144	124	225	260	49	122	56	3/4"	11	23	4	12.5	18	M4	
71	ME 071	160	110	130	30	10	3.5	9	150	139	261	305	48	147	56	3/4"	14	30	5	16	25	M5	
80	ME 080	200	130	165	40	12	3.5	10	157	157	267	324	46	110	56	3/4"	19	40	6	21.5	35	M6	
90S	ME 09S	200	130	165	50	12	3.5	10	154	181	327	399	①	117	156	56	3/4"	24	50	8	27	45	M8
90L	ME 09L	200	130	165	50	12	3.5	10	154	181	327	399	①	117	169	56	3/4"	24	50	8	27	45	M8
100L	ME 10L	250	180	215	60	15	4	11	169	202	366	448	135	131	193	56	1"	28	60	8	31	55	M10
112M	ME 11M	250	180	215	60	15	4	11	189	227	388	471	157	150	200	56	1"	28	60	8	31	55	M10
132S	ME 13S	300	230	265	80	15	4	12	206	267	449	552	176	166	239	63	1"	38	80	10	41	70	M12
132M	ME 13M	300	230	265	80	15	4	12	206	267	487	590	176	166	258	63	1"	38	80	10	41	70	M12
160M	ME 16M	350	250	300	110	19	5	13	226	324	585	721	206	186	323	63	1"	42	110	12	45	105	M16
160L	ME 16L	350	250	300	110	19	5	13	226	324	629	765	206	186	345	63	1"	42	110	12	45	105	M16
180M/L	ME 18M/L	350	250	300	110	19	5	13	282	369	717	821	230	264	112	1 1/2"	48	110	14	51.5	100	M16	
200L	ME 20L	400	300	350	110	19	5	15	312	405	770	892	249	287	172	2"	55	110	16	59	100	M20	
225S/M	ME 22S/M * A	450	350	400	140	19	5	16	337	455	800	919	273	297	172	2"	55	110	16	59	100	M20	
	* B	450	350	400	140	19	5	16	337	455	830	949	273	327	172	2"	60	140	18	64	130	M20	
250M	ME 25 M * A	550	450	500	140	19	5	16	415	495	915	1065	328	352	205	2"	60	140	18	64	130	M20	
	* B																						
280S/M	ME 28S/M * A	550	450	500	140	19	5	18	445	544	1010	1160	358	360	205	2"	65	140	18	69	130	M20	
	* B																						

All Dimensions are in mm unless otherwise specified

**Tolerance on Dimensions with star**

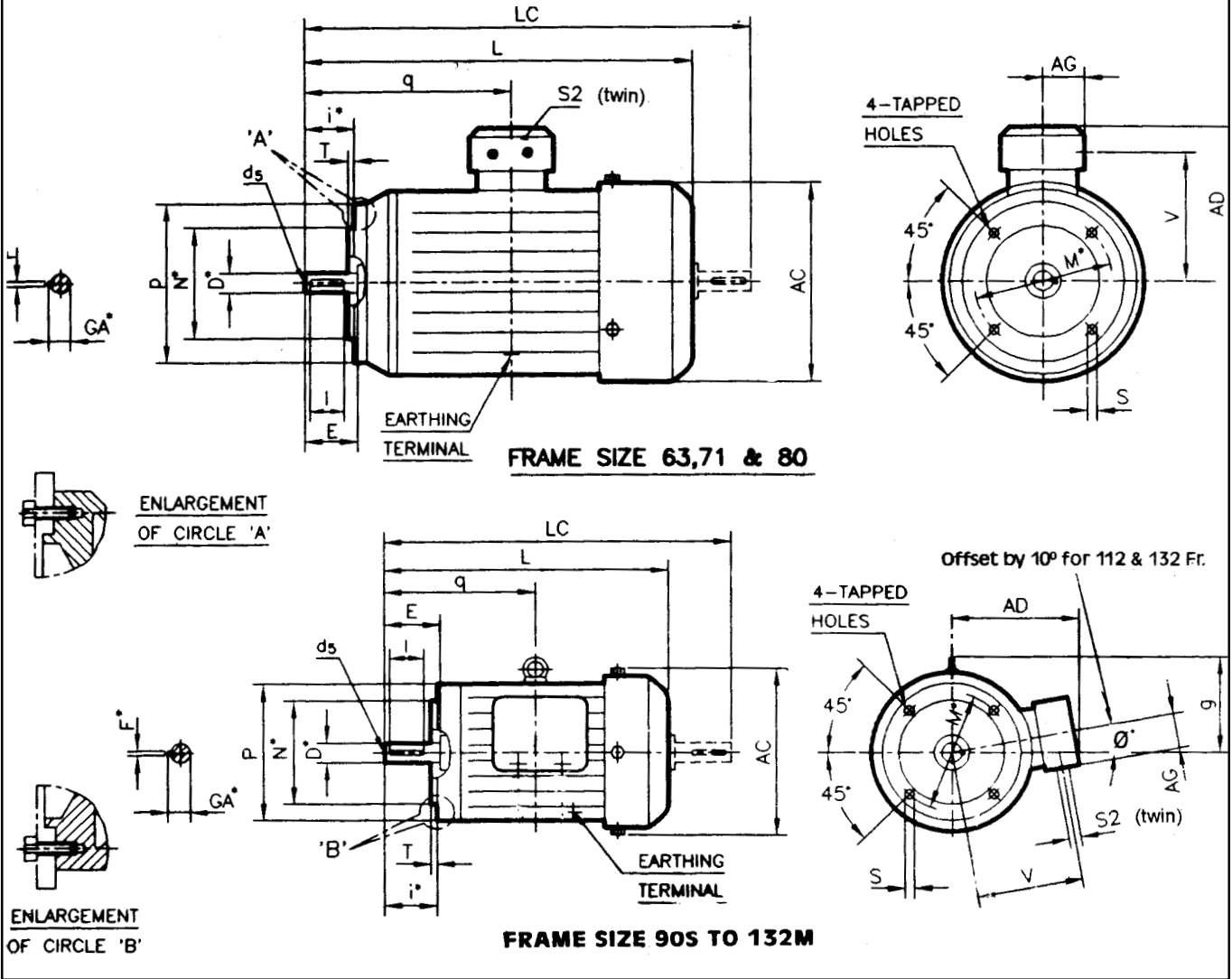
Dimension	Tolerance	Specification
N	j6	IS : 2223
M	±0.3 UPTO 265 OVER 265	
i	±1 UPTO 85 OVER 85	IS : 2048 IS : 2540
D	±1.5 j6 k6 m6	
GA, F d (centering)	11, 14, 19, 24, 28Ø 38, 42, 48Ø 55Ø, 60Ø, 65Ø, 75Ø	

**Note :**

- ① Without Eye bolt.
- \*A-2 pole, \*B-4, 6 & 8 pole.
- 8 Nos. Fixing Holes for 225 S/M Frame.
- Suitable for V1 V3 & B5 mounting as per IS 2253 : 1974.
- Key/Key way fit : h9 / N9
- Double shaft extension can be provided with shaft dimension identical to D.E. Shaft except for 225 S/M-4-6, 8 pole and 280 S/M-4, 6, 8 pole where Non Drive Shaft Extension will be limited to 55 m.m. dia and 65 mm dia respectively.



Dimensional Drawing of Increased Safety : Face Mounted (B14 Construction) TEFC Motor Frame 63 - 132 M



Dimensional Details of Increased Safety : Face Mounted (B14 Construction) TEFC Motor Frame 63 - 132 M

IEC Frame Size	Motor Type	FIXING					GENERAL					TERMINAL BOX			SHAFT							
		P	N*	M*	I*	S	T	AD	AC	L	LC	g	V	q	AG	S2	D*	E	F*	GA*	i	d*
63	ME 063	90	60	75	23	M5X10	2.5	144	124	206	241	49	103	56	3/4"	11	23	4	12.5	18	M 4	
71	ME 071	105	70	85	30	M6X13	2.5	150	139	234	278	48	120	56	3/4"	14	30	5	16	25	M 5	
80	ME 080	120	80	100	40	M6X13	3	157	157	267	324	46	110	56	3/4"	19	40	6	21.5	35	M 6	
90S	ME 09S	140	95	115	50	M8X12	3	154	172	327	399	①	117	156	56	3/4"	24	50	8	27	45	M 8
90L	ME 09L	140	95	115	50	M8X12	3	154	172	327	399	①	117	169	56	3/4"	24	50	8	27	45	M 8
100L	ME 10L	160	110	130	60	M8X12	3.5	169	196	366	448	135	131	193	56	1"	28	60	8	31	55	M10
112M	ME 11M	160	110	130	60	M8X12	3.5	189	227	388	471	157	150	200	56	1"	28	60	8	31	55	M10
132S	ME 13S	250	180	215	80	M12X12	4	206	267	449	552	176	166	239	63	1"	38	80	10	41	70	M12
132M	ME 13M	250	180	215	80	M12X12	4	206	267	487	590	176	166	258	63	1"	38	80	10	41	70	M12

All Dimensions are in mm unless otherwise specified

Tolerance on Encircled

Dimension	Tolerance	Specification
N	j6	IS : 2223
M	+ 0.3	
i	+ 1	
D	j6 Upto 28 k6 Over 28	
GA, F		IS : 2048 IS : 2540
d (centering)		

Note :

- ① With Eyebolt
- 1 Suitable for B14, V19 & V18 mounting as per IS 2223.
- 1 Key/Key way fit : h9 / N9
- 1 Double shaft extension can be provided with shaft dimension identical to D.E. shaft.

Note : BBL type references have changed. Please refer to page No.16 for conversion Chart.